



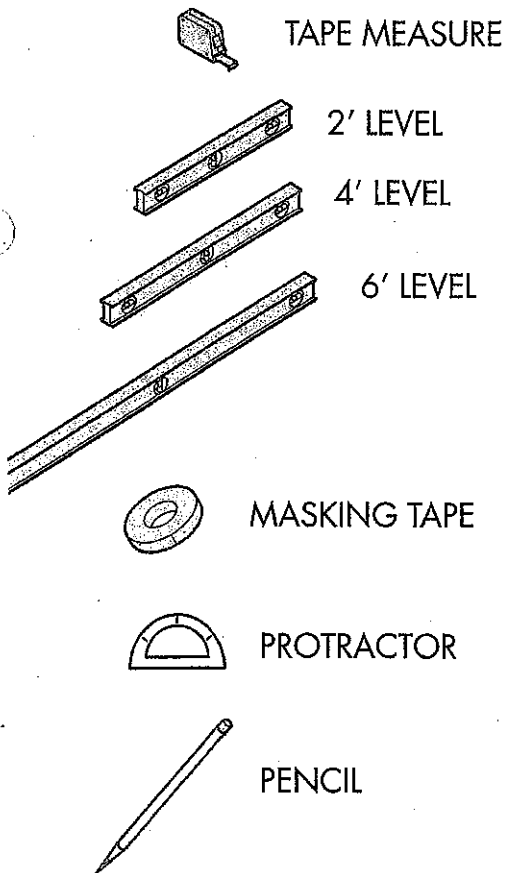
2015 Greenspring Drive - Timonium, MD 21093
 Phone: 410-252-8700 Fax: 410-252-8709
 Visit us on the Web: www.mcardlewalsh.com

Wholesale Distributors of Plumbing, Heating and Industrial Supplies

Shower Door Measuring Guide

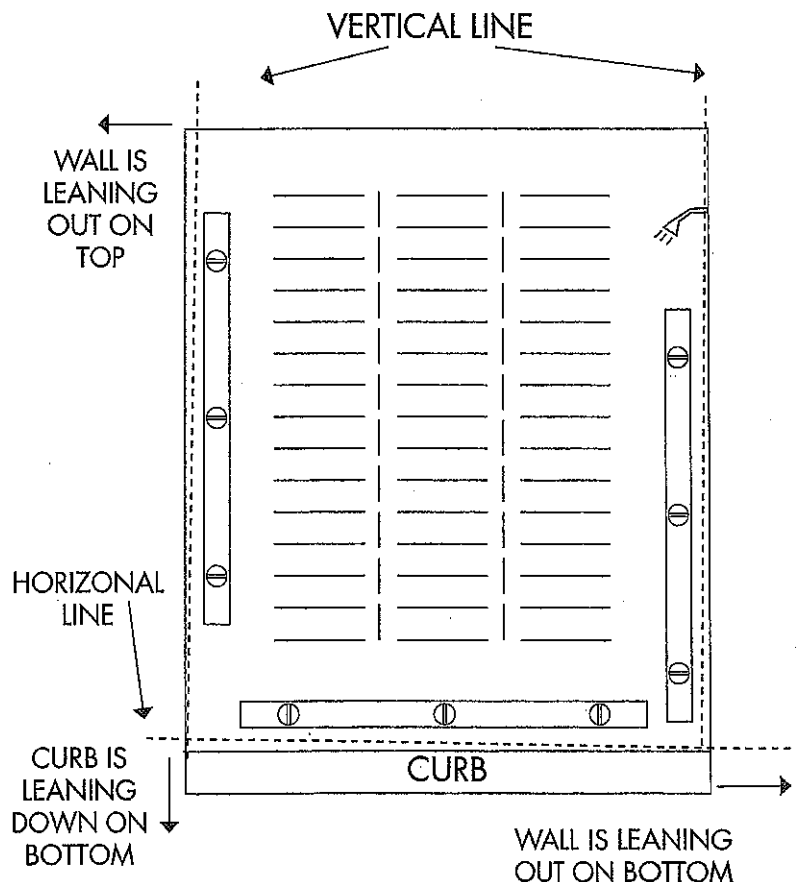
Select the illustration which most closely matches your tub or shower layout.
 Carefully measure and record all dimensions requested on drawing.

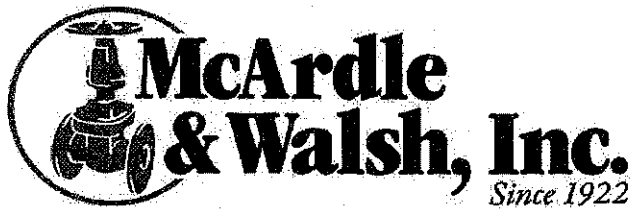
RECOMMENDED TOOLS:



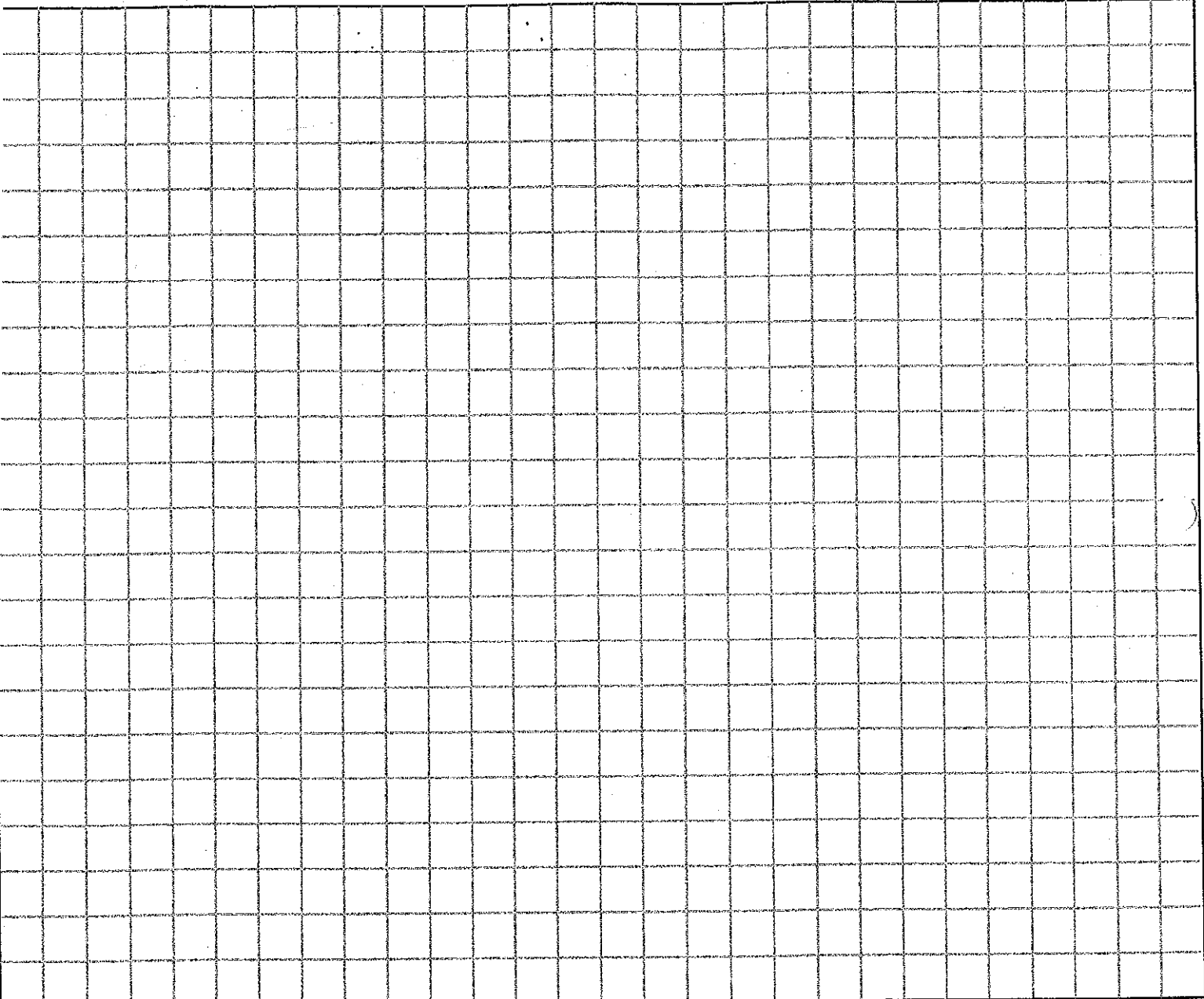
MEASURING TIPS:

- Measuring must be done only after the tile work is complete. Measuring unfinished opening may cause the shower door to be mis-fabricated.
- All the measured sizes are considered to be center-line of the base. If measured "OD" or "ID" it must be clearly noted on the measure sheet.
- When measuring please check for out of square and plumb conditions. For reference see guide below.





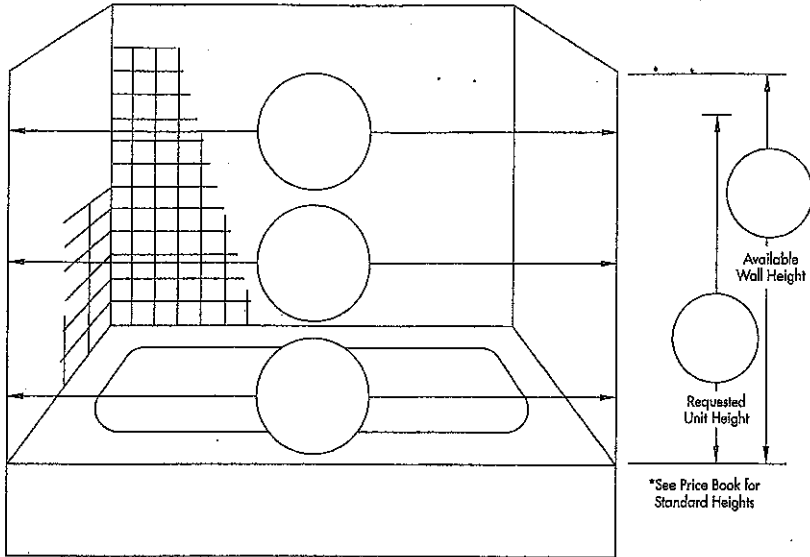
Shower Door Measuring Guide



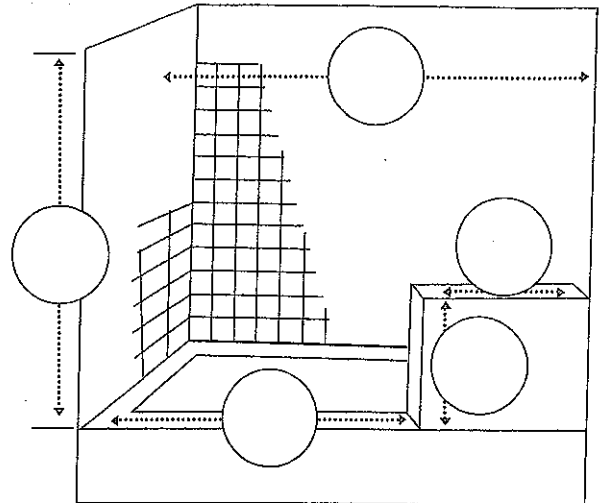
DEALER:	*JOB NAME: *For Internal Tracking*
CONTACT:	JOB LOCATION: •
PHONE:	
FAX:	



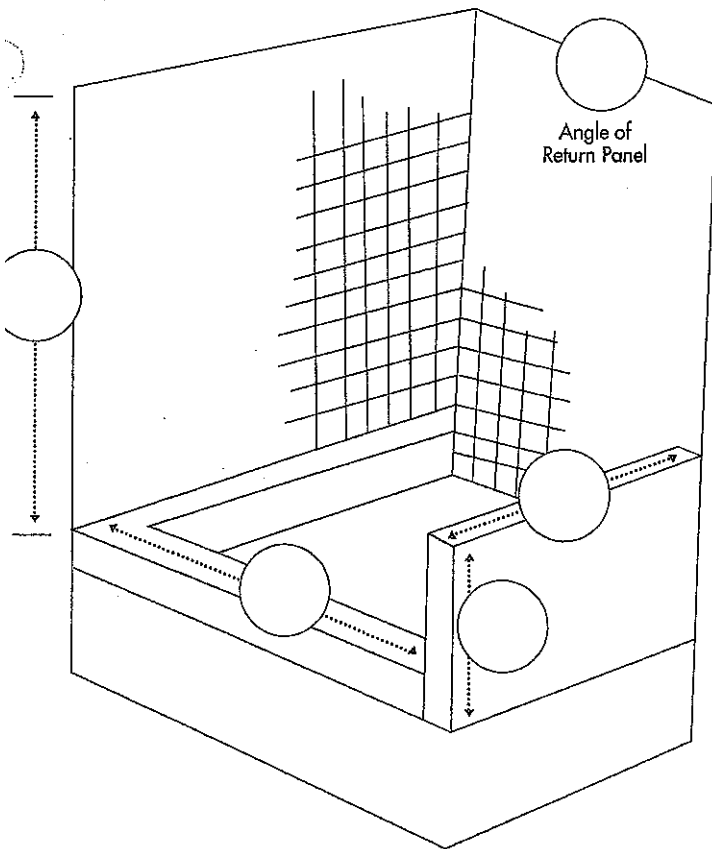
Shower Door Measuring Guide



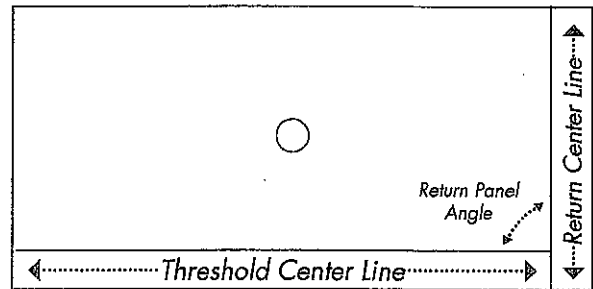
Tub



Tub with InLine Panel on Buttress



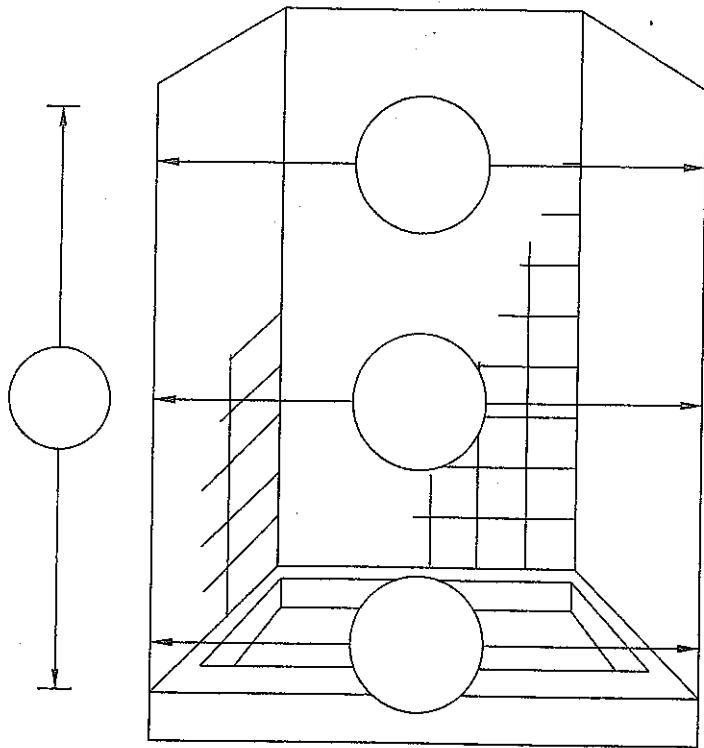
Tub with Return Panel on Buttress



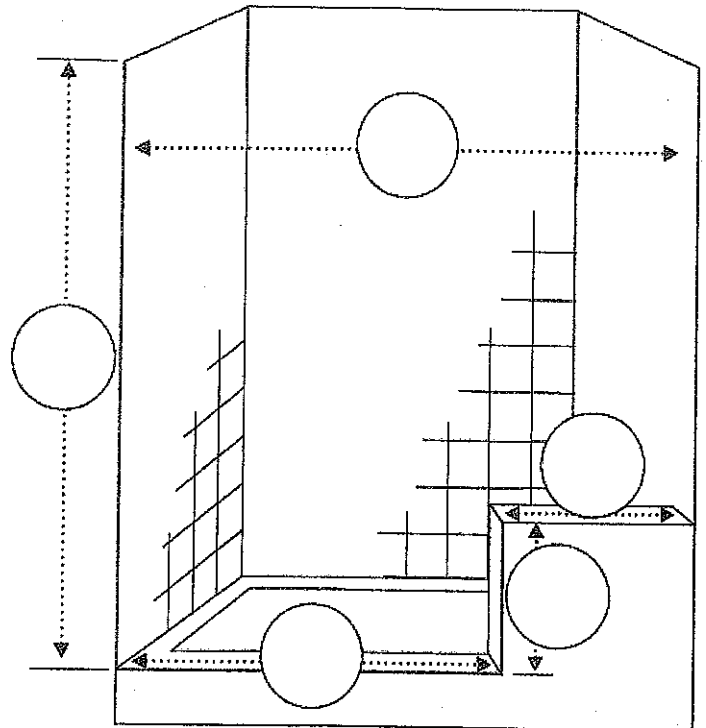
Top View

DEALER:	*JOB NAME:
	For Internal Tracking
CONTACT:	JOB LOCATION:
PHONE:	
FAX:	

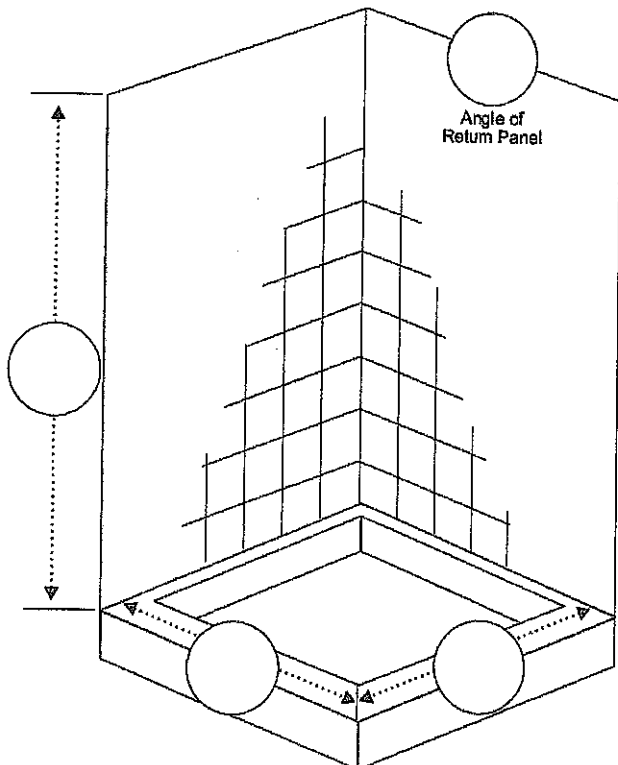
Shower Door Measuring Guide



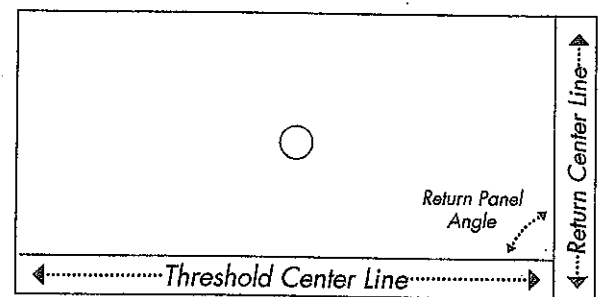
Stall



Stall with InLine Panel on Buttress

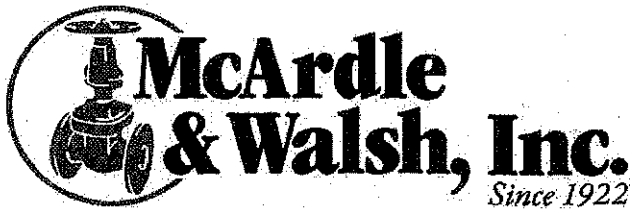


Stall with Return Panel

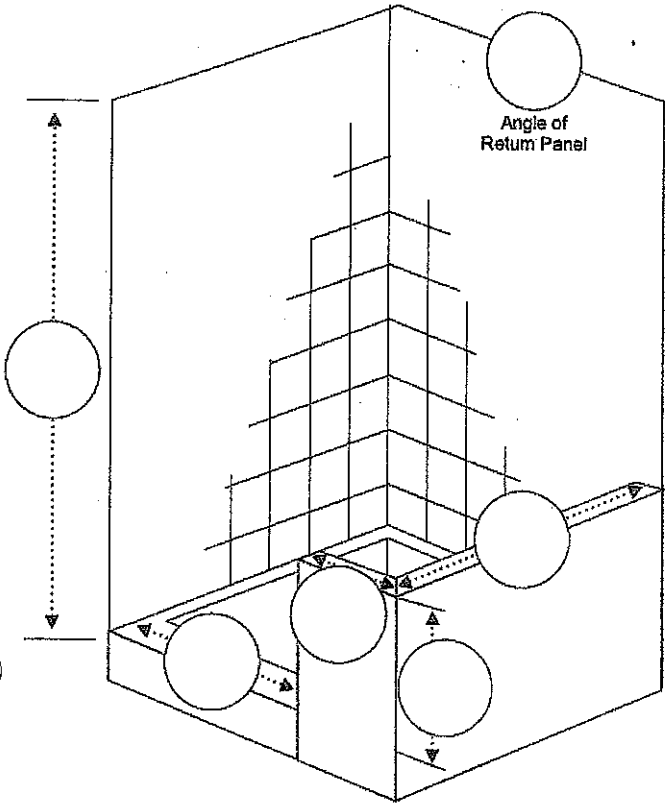


Top View

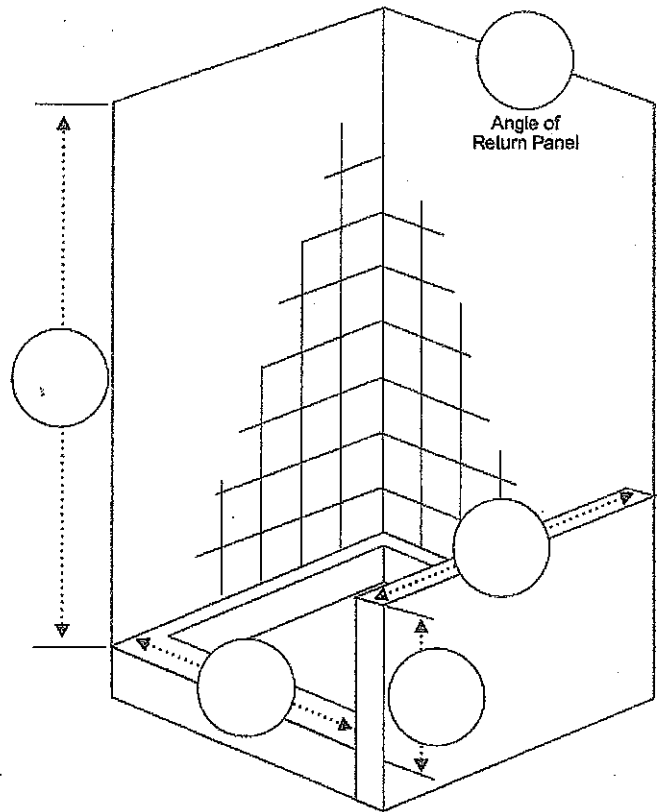
DEALER:	*JOB NAME:
	For Internal Tracking
CONTACT:	JOB LOCATION:
PHONE:	
FAX:	



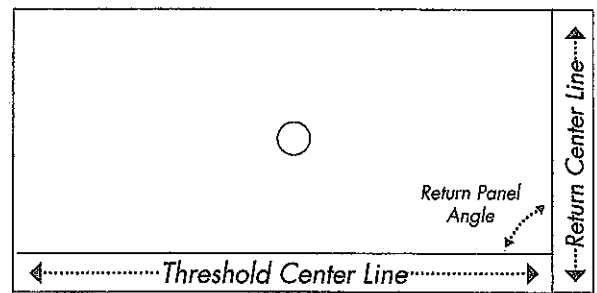
Shower Door Measuring Guide



Stall with InLine Panel and Buttress Return Panel

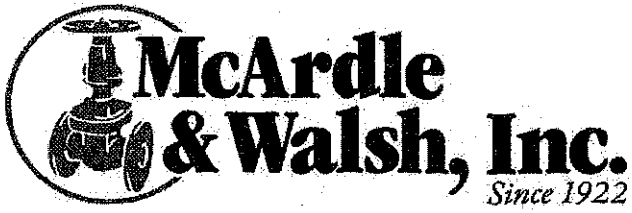


Stall with Buttress Return Panel

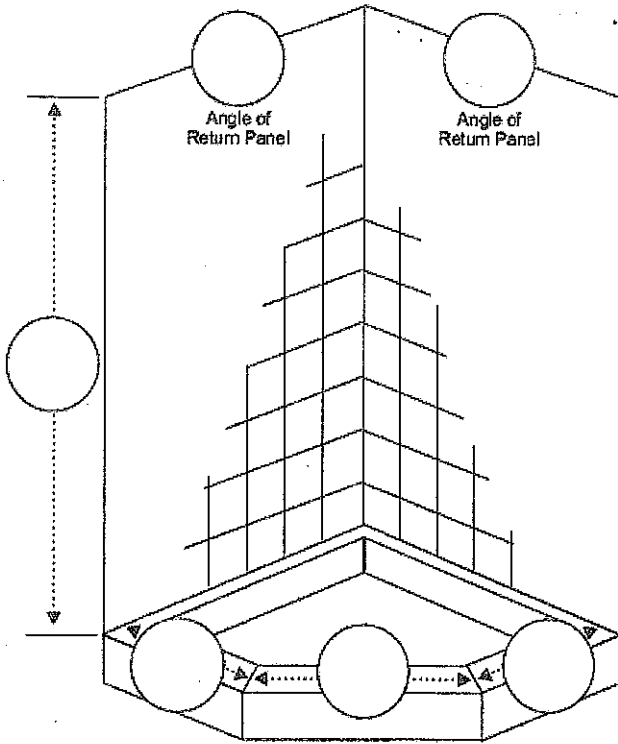


Top View

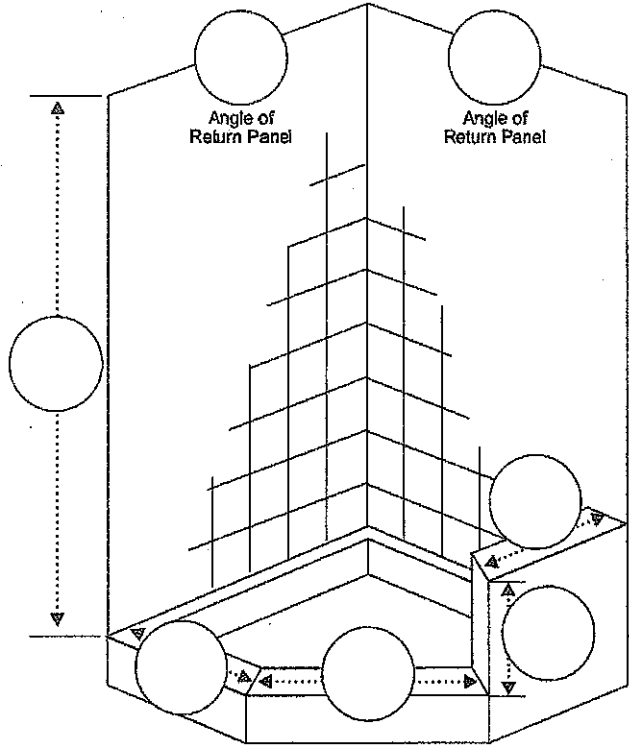
DEALER:	*JOB NAME:
	For Internal Tracking
CONTACT:	JOB LOCATION:
PHONE:	
FAX:	



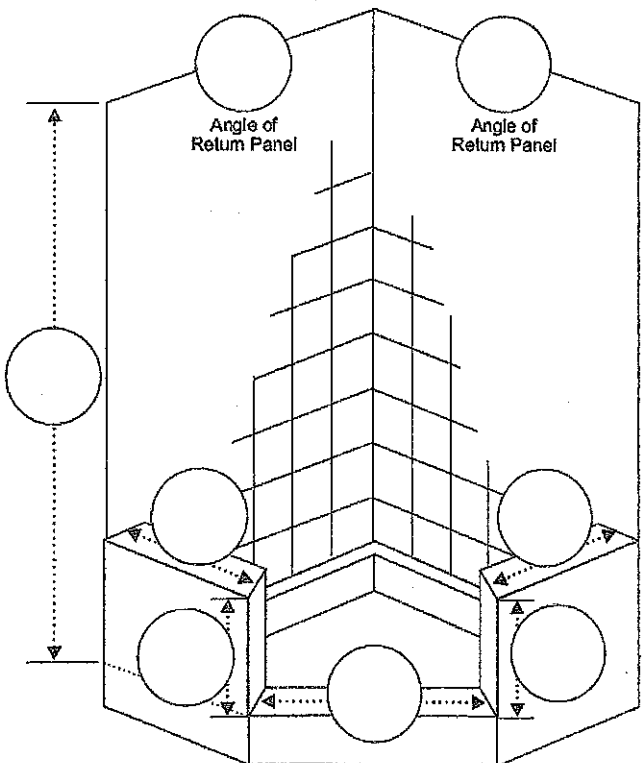
Shower Door Measuring Guide



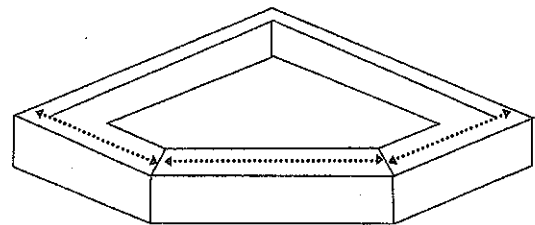
Neo Angle



Neo Angle with Buttress Panel



Neo Angle with Double Buttress Panel



Center Line Top View

DEALER:	*JOB NAME:
	For Internal Tracking
CONTACT:	JOB LOCATION:
	*
PHONE:	
FAX:	